



MEGADYNE



EN

FITNESS
INDUSTRY
BROCHURE



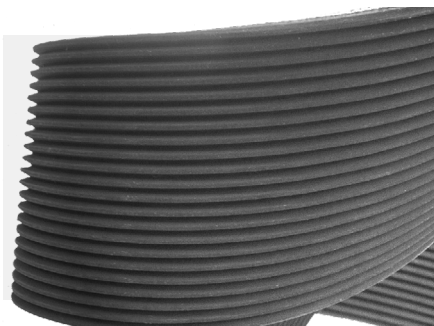
FITNESS

The fitness industry is a fast-growing sector, especially within the field of health and wellness. We are constantly following this rapid growth, providing innovative solutions to design new and better-performing gym equipment. With our products, you may achieve grease-free surface, long service-life, smooth starting and running, silent drive, maximum efficiency, and reduced dimensions. Every machine has its specific requirements like peak load, power load capacity, a wide range of driven speed. We do our best to meet all these needs.

Megadyne has been catering to your needs since 1957, designing and manufacturing power transmission belts, matched components, and complete belt systems for all types of equipment. We are a reliable partner for original equipment manufacturers and aftermarket distributors, with:

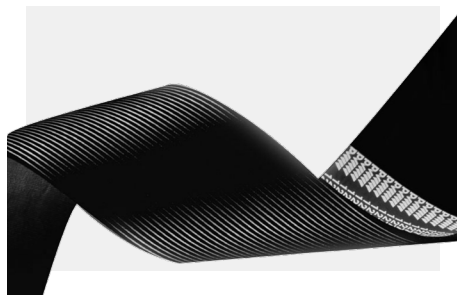
9 manufacturing plants in Europe, North America, and Asia, more than 170 Customer Solution Centres and 3 main distribution hubs around the world, able to deliver products efficiently, from large industrial sites to remote locations.

BELT PROPERTIES



MEGADYNE PV RIBBED BELTS

SUPPLIED AS	Endless
LENGTH	PH 584 – 1975 mm PJ 350 – 2489 mm PK 588 – 2555 mm
WIDTH	Consult Megadyne
PITCH	PH, PJ, PK
TENSION MEMBER	Polyester
FEATURES	Long life and good performance



MEGADYNE ELASTIC PV RIBBED BELTS

SUPPLIED AS	Endless
LENGTH	Consult Megadyne
WIDTH	Consult Megadyne
PITCH	PH, PJ
TENSION MEMBER	Nylon
FEATURES	Reduced vibrations, noise level and costs



MEGADYNE MEGAFLEX

SUPPLIED AS	Endless
LENGTH	1500 - 22 600 mm
WIDTH	Standard up to 152.4 mm; for higher width, consult Megadyne
TENSION MEMBER	High-strength S and Z parallel zinc coated steel
FEATURES	Smooth-running, thickness stability



MEGADYNE MEGASYNC™ (RPP, SILVER3, GOLD2)

SUPPLIED AS	Endless
LENGTH	248 - 4 956 mm
WIDTH	12 - 170 mm*
PITCH	RPP8, RPP14, SLV3 8M, SLV3 14M, GLD2 8M, GLD2 14M
TENSION MEMBER	Fiberglass
FEATURES	High-stability and power transmission

*Standard Width Range - Megadyne will cut to desired width upon request.



MEGADYNE MEGASYNC™ TITANIUM

SUPPLIED AS	Endless
LENGTH	248 - 4 956 mm
WIDTH	12-170 mm
PITCH	TTM8, TTM14
TENSION MEMBER	Special Carbon cord
FEATURES	Compact drive package, High-stability and resistance

*Standard Width Range - Megadyne will cut to desired width upon request.



MEGADYNE MEGALINEAR FLAT BELT

SUPPLIED AS	Open-ended roll
LENGTH	100 m
WIDTH	16 - 30 mm
PITCH	P2, P3
TENSION MEMBER	Standard steel - HP steel - Kevlar®
FEATURES	Smooth-running, high-stability

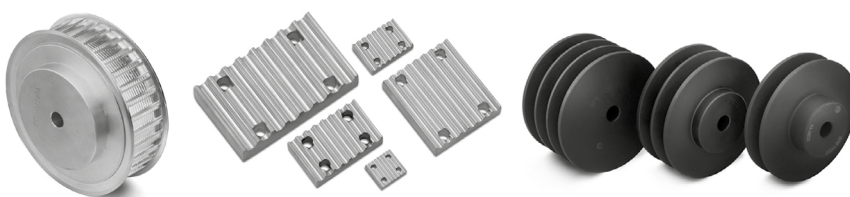


MEGADYNE MEGALINEAR

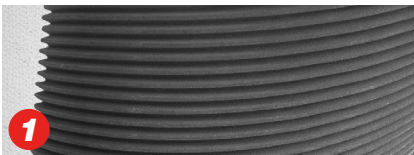
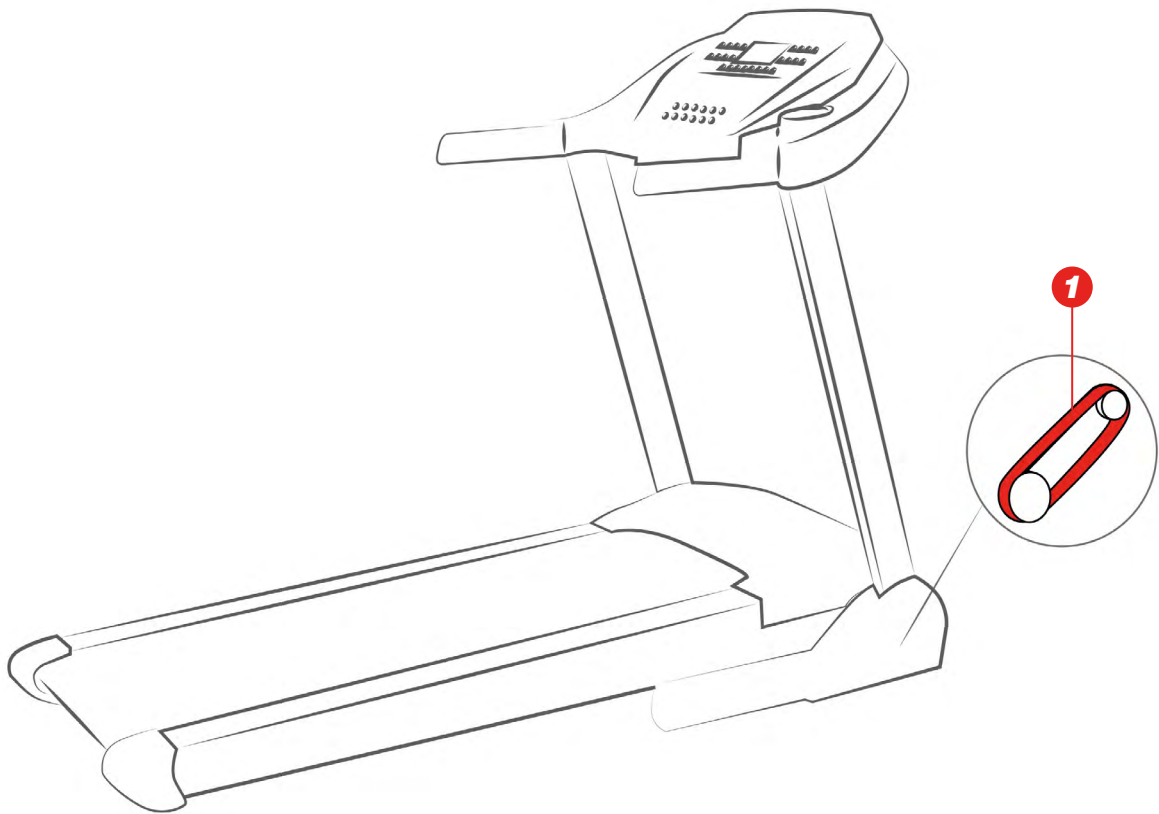
SUPPLIED AS	Open-ended roll - Joined - PPJ
LENGTH	Consult Megadyne
WIDTH	Up to 508 mm
TENSION MEMBER	High-strength S and Z parallel zinc coated steel
FEATURES	Smooth-running, high-stability

METAL DRIVE COMPONENTS

Use an extensive range of pulleys and accessories like timing bars, flanges, clamping plates, couplings to design a complete drive transmission system.



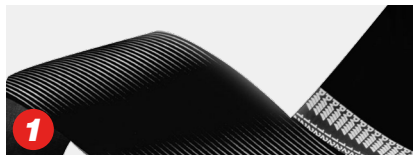
TREADMILL



PV RUBBER RIBBED BELTS

Endless belts with longitudinal V-shaped grooves which combine the benefits of flat belts and V-belts.

- Low-noise
- Improved power performance by increasing the number of ribs
- Compact smooth-running drive system with low vibration

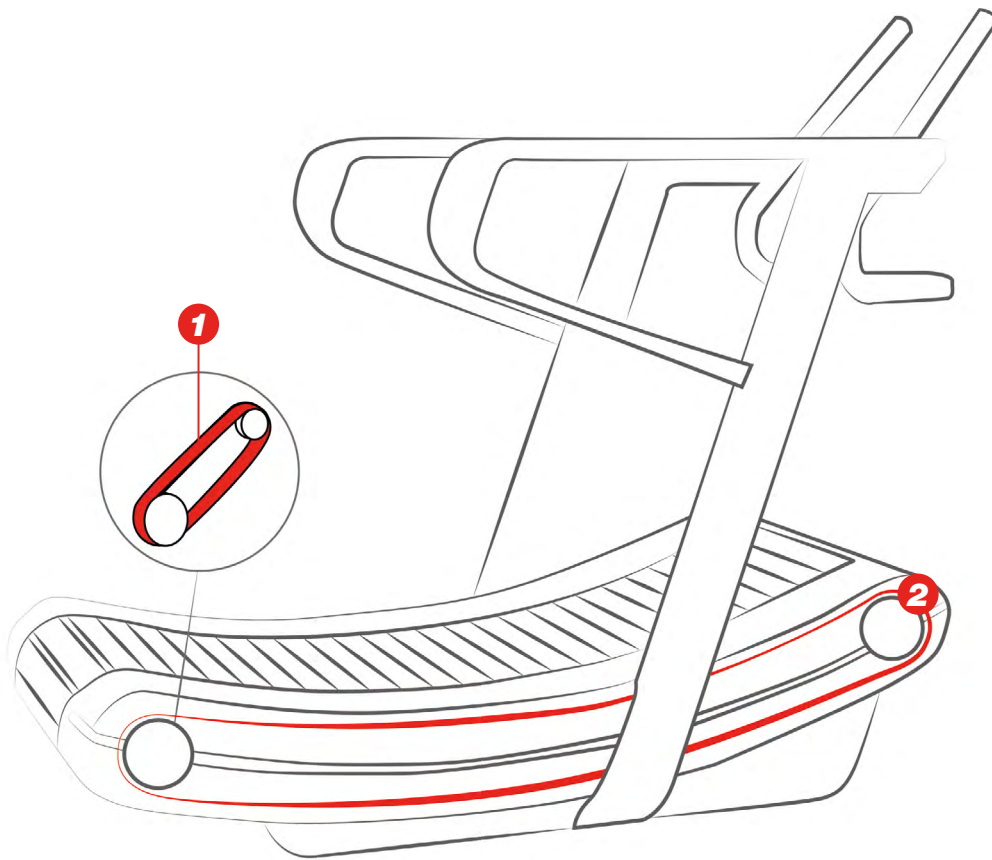


ELASTIC PV RUBBER RIBBED BELTS

Endless belts with longitudinal V-shaped grooves in elastic version (TEM).

- No need for tension devices
- Low noise level
- Reduced transmission cost and maintenance

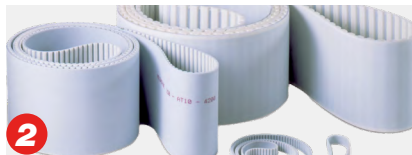
SLAT TREADMILL



MEGADYNE MEGASYNC™

Rubber endless timing belts with spiral fiberglass cords and RPP profile (Gold2, Silver3).

- High-speed capacity
- Low-noise
- High-precision drives
- Antistatic

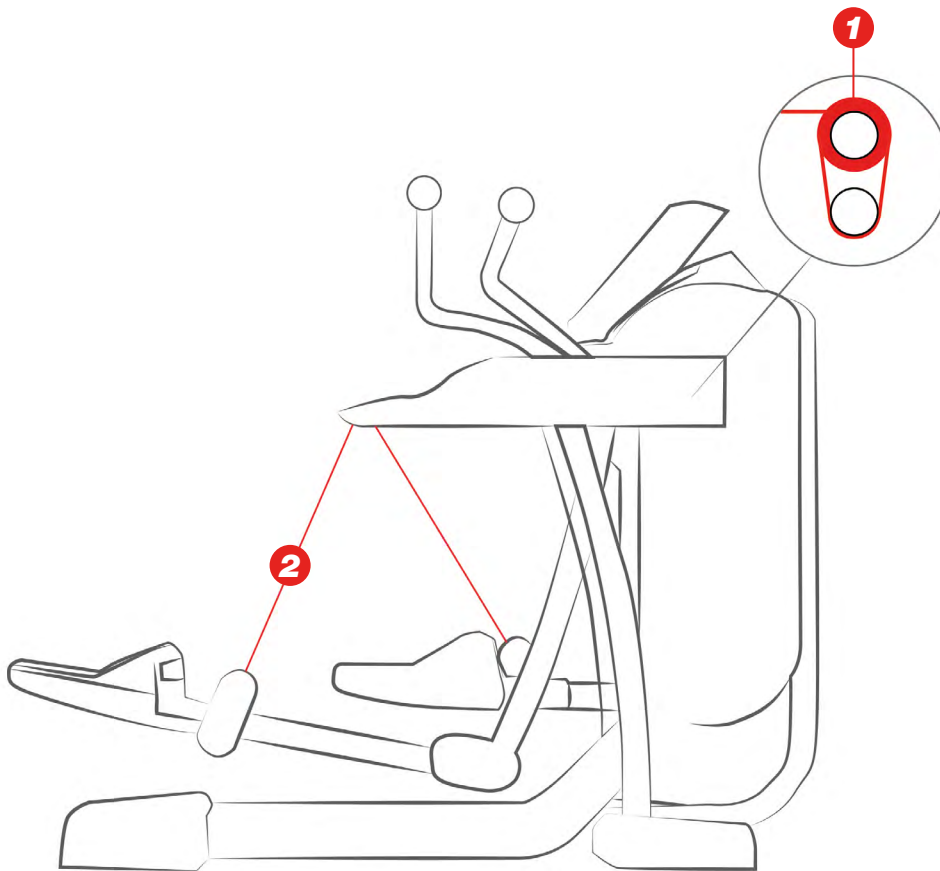


MEGAFLEX

Truly endless timing or flat belts with thermoplastic polyurethane and high-strength helically wound zinc coated steel tension members.

- Low-elongation and high-stability
- Low-friction and power absorption
- Suitable for heavy-loads
- High-resistance to fatigue

CROSS TRAINER



MEGADYNE MEGASYNC™

Rubber endless timing belts with spiral fiberglass cords and RPP profile (Gold2, Silver3).

- Low-noise
- High-precision drives
- Antistatic

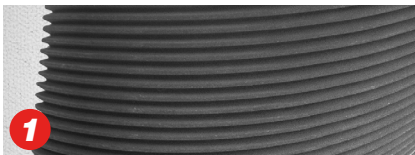
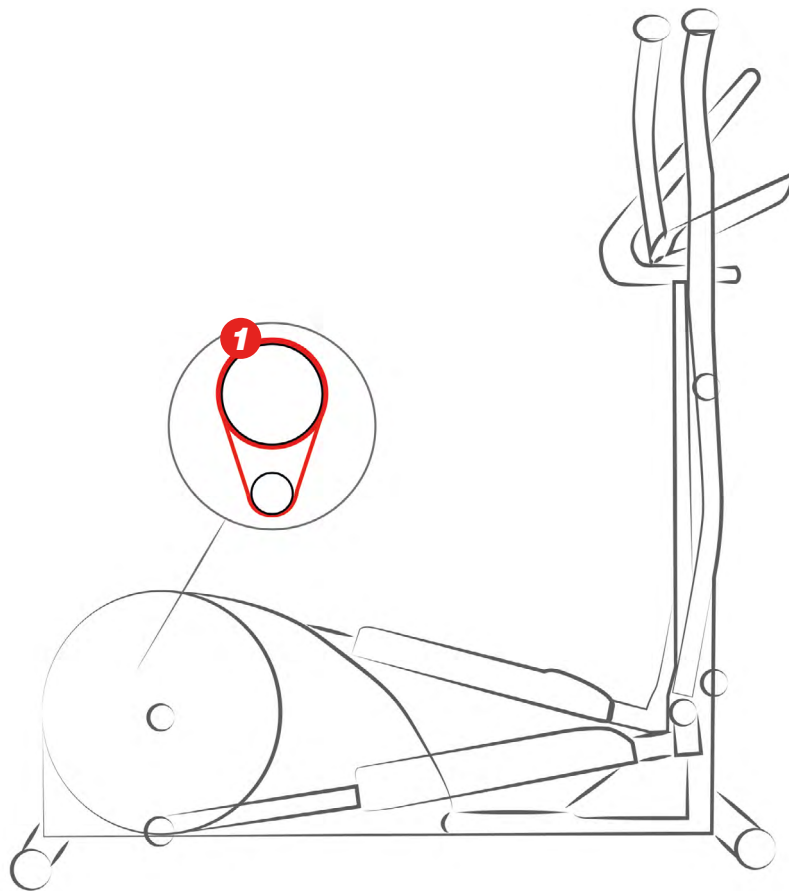


MEGALINEAR

Thermoplastic 92 ShA flat PU belts (MEGALINEAR P), supplied as open length rolls or as endless joined belts.

- Low-elongation, high-loads capacity
- High wear-resistance
- Smooth-running

ELLIPTICAL TRAINER



PV RUBBER RIBBED BELTS

Endless belts with longitudinal V-shaped grooves which combine the benefits of flat belts and V-belts.

- Low-noise
- Improved power performance by increasing the number of ribs
- Compact smooth-running drive system with low vibration

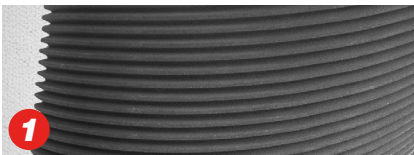
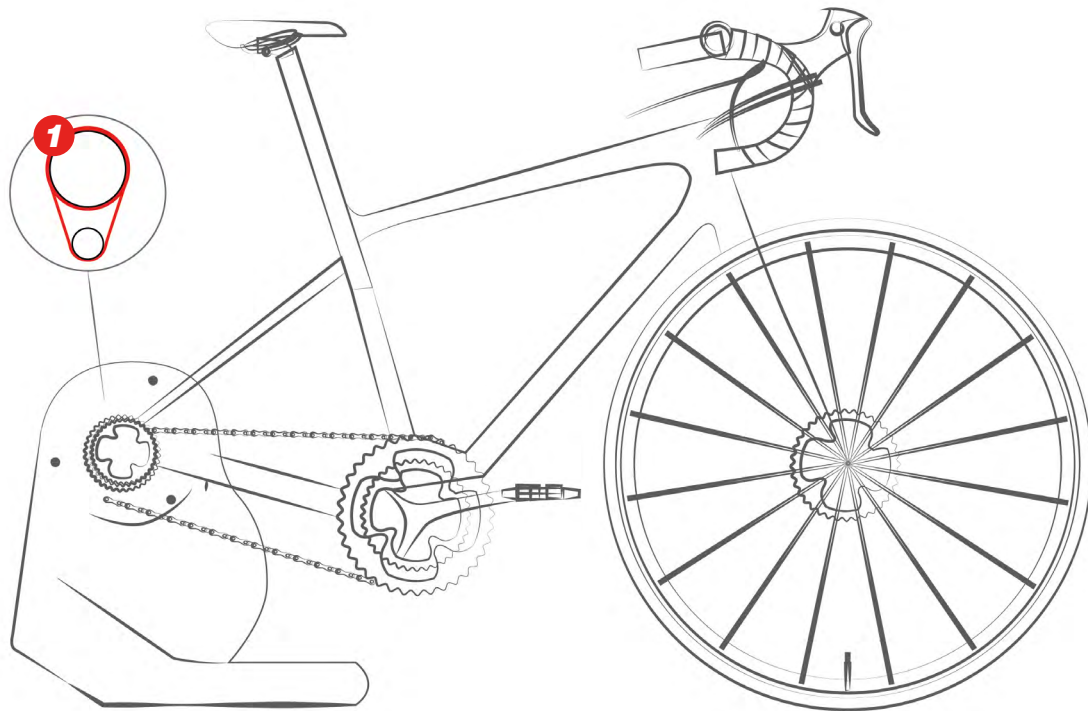


MEGADYNE MEGASYNC™

Rubber endless timing belts with spiral fiberglass cords and RPP profile (Gold2, Silver3).

- Low-noise
- High-precision drives
- Antistatic

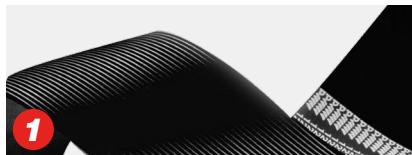
SMART TRAINER



PV RUBBER RIBBED BELTS

Endless belts with longitudinal V-shaped grooves which combine the benefits of flat belts and V-belts.

- High-flexibility
- Improved power performance by increasing the number of ribs
- Compact smooth-running drive system
- Low vibration, smooth-ride feeling



ELASTIC PV RUBBER RIBBED BELTS

Endless belts with longitudinal V-shaped grooves in elastic version (TEM).

- No need for tension devices
- Low-noise level
- Reduced transmission cost and maintenance

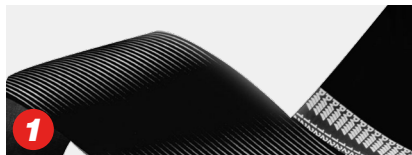
EXERCISE BIKE



MEGADYNE MEGASYNC™

High performance rubber endless timing belts made of high-quality rubber compounds and spiral fiberglass tension members (Gold2) or carbon tension member (Titanium).

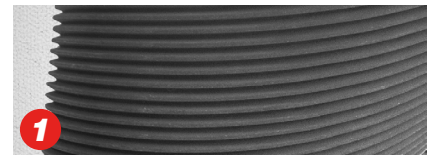
- Low pre-tension
- Good transmittable torques
- Low-noise
- Low-vibration



ELASTIC POLY-V RIBBED BELTS

Endless belts with longitudinal V-shaped grooves in elastic version (TEM).

- No need for tension devices
- Low-noise level
- Reduced transmission cost and maintenance

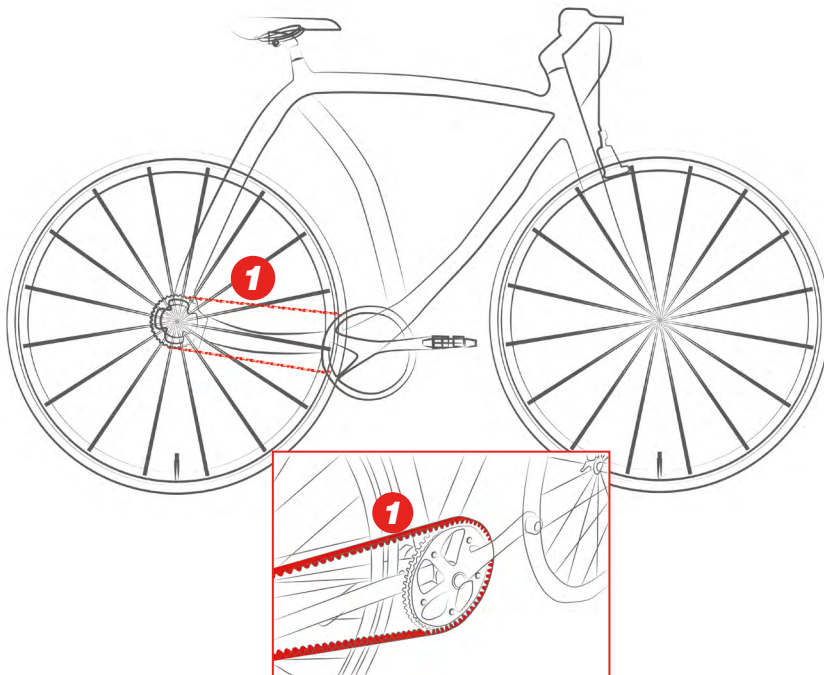


PV RUBBER RIBBED BELTS

Endless belts with longitudinal V-shaped grooves which combine the benefits of flat belts and V-belts.

- High-flexibility
- Improved power performance by increasing the number of ribs
- Compact smooth-running drive system
- Low-vibration, smooth-ride feeling

BICYCLE

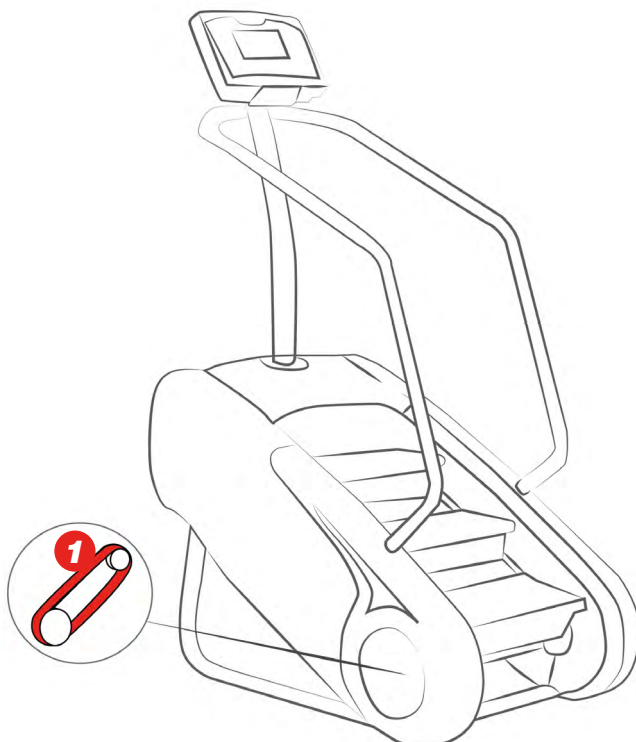


MEGASYNC™ TITANIUM

High-performance rubber timing belts with special carbon cord (TTM8, TTM14).

- Compact drive package
- High-stability and resistance under high torque
- Long-life cycles, cost-efficiency
- Maintenance-free

STEPMILL



PV RUBBER RIBBED BELTS

Endless belts with longitudinal V-shaped grooves which combine the benefits of flat belts and V-belts.

- Low-noise
- Improved power performance by increasing the number of ribs
- Compact smooth-running drive system with low vibration

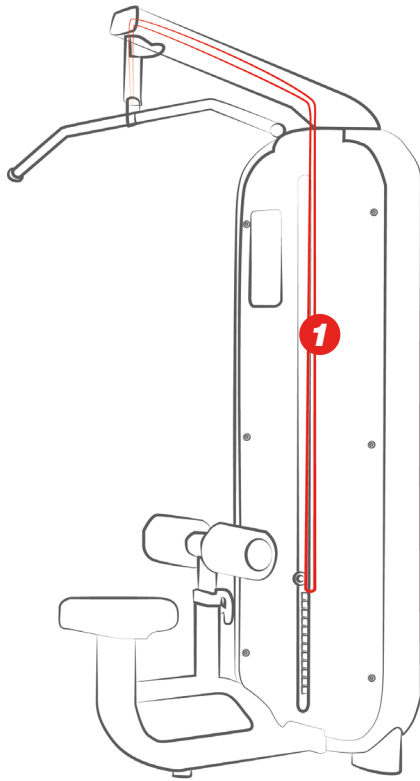


MEGADYNE MEGASYNC™

Rubber endless timing belts with spiral fiberglass cords and RPP profile (Gold2, Silver3).

- High-speed capacity
- Low-noise
- High-precision drives
- Antistatic

WEIGHT TRAINING MACHINE

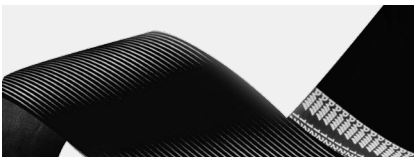


MEGALINEAR

Thermoplastic 92 ShA flat PU belts (MEGALINEAR P), supplied as open length rolls or as endless joined belts.

- Low elongation, high-loads capacity
- High wear-resistance
- Smooth-running

CASE STUDY



APPLICATION: Spin Bike
PREVIOUS SOLUTION: Competitor Belt
CHALLENGE WITH THIS SYSTEM: Noise and Vibration

MEGADYNE SOLUTION: PV BELT PJ ELASTIC

- Improved reduction in noise level
- Smooth-running of the transmission
- Accurate product movement



Discover Your Local Contacts

The local partner of choice
for sustainable power transmission belting solutions
around the globe.



General contact information:

Megadyne

Via Trieste, 16

Via S. Lucia 114 - 10075 Mathi (Torino)

Italy



Scan the QR code
and find your local
contact

